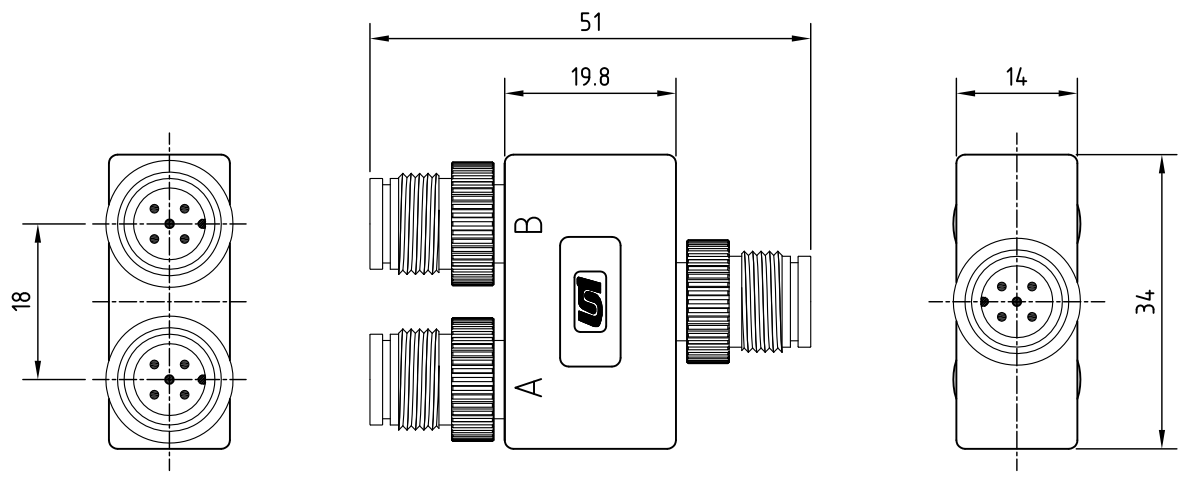


REV.	Description	Date
1	add 12P arrangement	2012/1/2
2	upgrade drawing	2016/10/7



Specification of connector

General Characteristics
 Locking system : screw M12
 Shell protection : IP68
 Contact resistance : $\leq 10m\Omega$
 Insulation resistance : $>10M\Omega$

Materials
 Pin contact : brass
 Contact plating : gold
 Male insert : PA
 Ring nut : PA

RoHS
 TOLERANCE X \pm 0.5 .X \pm 0.3

CONTACT ARRANGEMENT FRONT VIEW (MALE)	2P	3P	4P	5P	6P	7P	8P	12P
Rated voltage	250V				125V			60V
Rated current	5A				2A			1A



Unicable Co., Ltd. 國陽電業有限公司
 5F., No. 111-33, Sec. 4, San Ho Road, San Chung City, Taiwan, R.O.C.
<http://www.unicable.com.tw> TEL:+886-2-2286-2122 FAX:+886-2-2286-1010

DATE	2016/10/7	PART NO.	UT-D2301-2-XP
DWN	GINA	REV.	2
CHK			
ITEM	M12 Adaptor	UNIT	MM